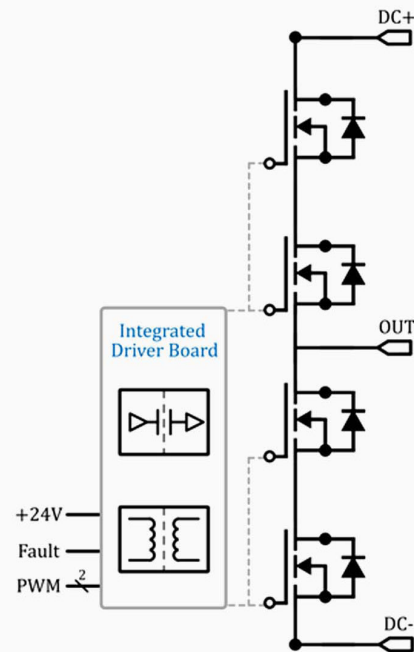
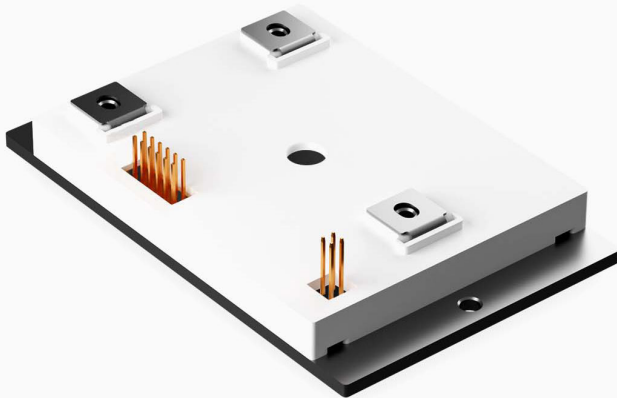


# High-Voltage Half Bridge



## Specifications

High-Voltage Half-Bridge Topology

Voltage rating: up to 3.3 kV

Current rating: 50-100 Arms, 200A pulsed

RdsOn: < 50 mOhm

Integrated gate driver

Integrated decoupling + snubbers

- Very low design effort for existing systems

Huge performance increase over conventional IGBT modules

Enabling system efficiency gain or power density increase

Broad experience in customized solutions for high power and High precision applications. Contact us

[sales@prodrive-technologies.com](mailto:sales@prodrive-technologies.com)