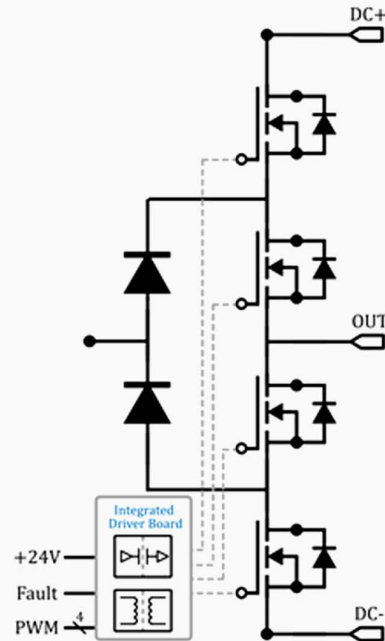
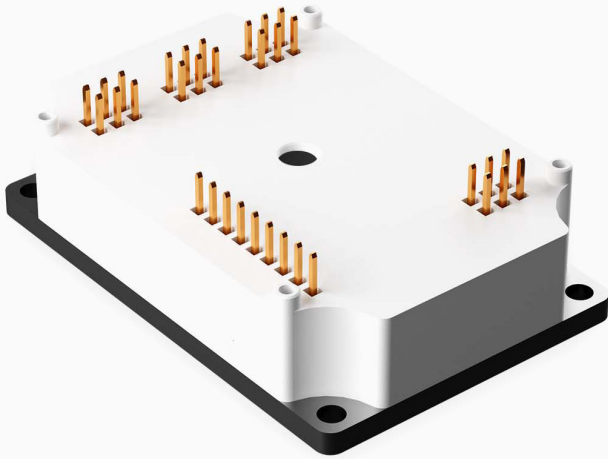


# Neutral-Point Clamped



## Specifications

Neutral-Point Clamped Topology

Voltage rating: 1.2 – 2.4 kV

Current rating: 25 – 50 Arms, 150A peak

RdsOn: < 20 mOhm

Integrated (isolated) gate driver

Building block for multi-level topologies

Fast switching SiC devices and efficient SiC diodes

Broad experience in customized solutions for high power and High precision applications. Contact us

[sales@prodrive-technologies.com](mailto:sales@prodrive-technologies.com)